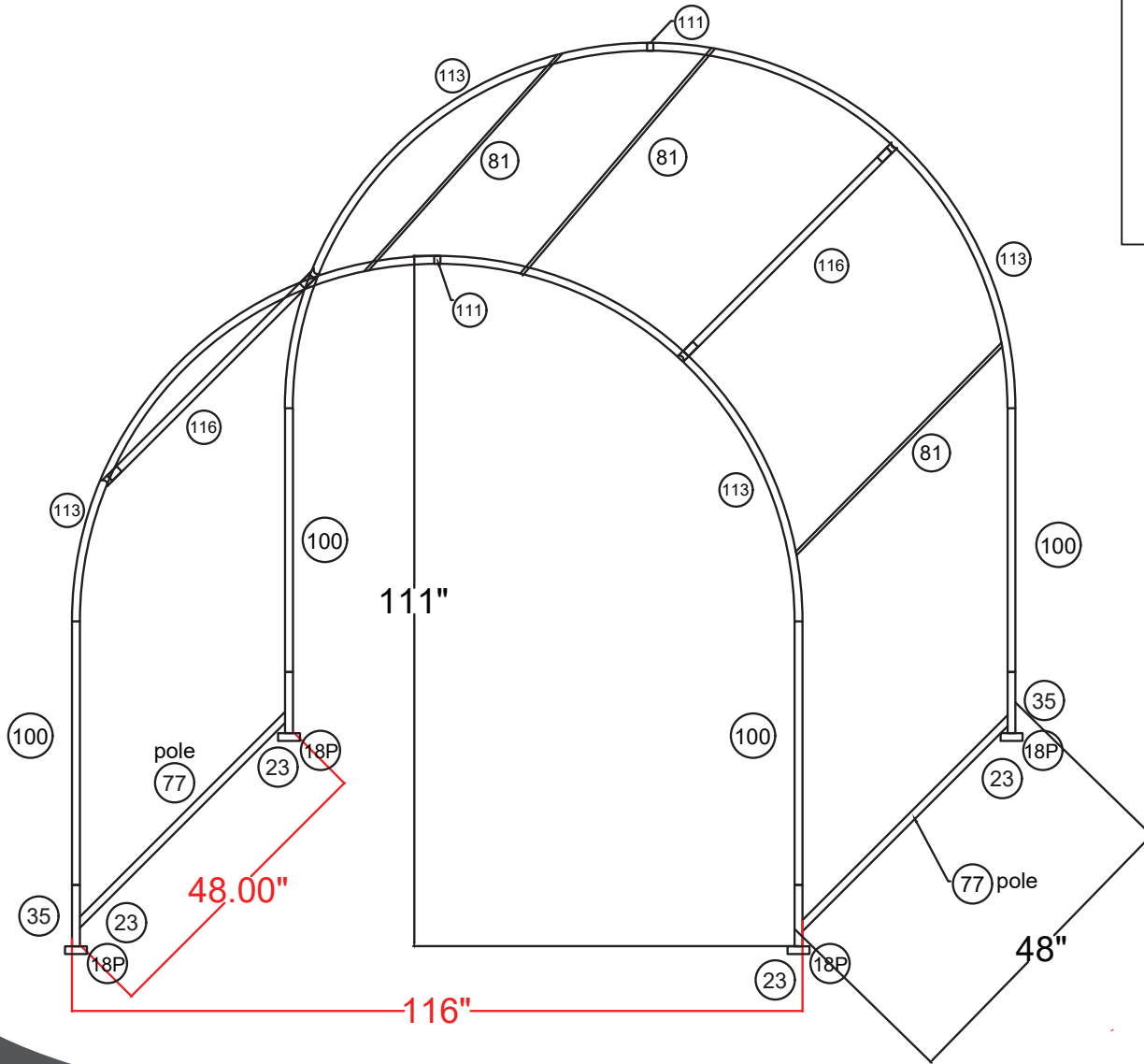


WAVELINE®

ARCH14T



- Assemble both outer rings
- Install base poles
- Install all horizontal poles
- Pull graphics from one end to the other slowly, making sure to evenly covering frame

48"w x 111"h Curved Arch Display

Qty.	Part Number
4	WLM#35
4	WLM#113
4	WLM#100
2	WLM#77
2	WLM#116
4	WLM#081
1	BGO-FabricL bag
2	WLM#111
4	WLM#18P
4	WLM#23

Fits inside qty.1 CA900